

PRODUCT BULLETIN

PB NO. 113
REV. 0

**Subject: Crankcase Explosion Door Kits for
Superior Inline Engines**

Once again, **EnDyn** responds to customer's request to create a new product with the development of the crankcase explosion door kits. Attached is a view of the typical design of the Crankcase Explosion Door Kit for Inline 825s and Model 40 dual fuel engines which includes a light weight aluminum door and two (2) relief valves with flame arrestors per door.

The advantages of this system is twofold: (1) the kit provides the engine with adequate and safe relief of crankcase explosions; and (2) the light weight doors allow easy access to the crankcase during routine maintenance inspections.

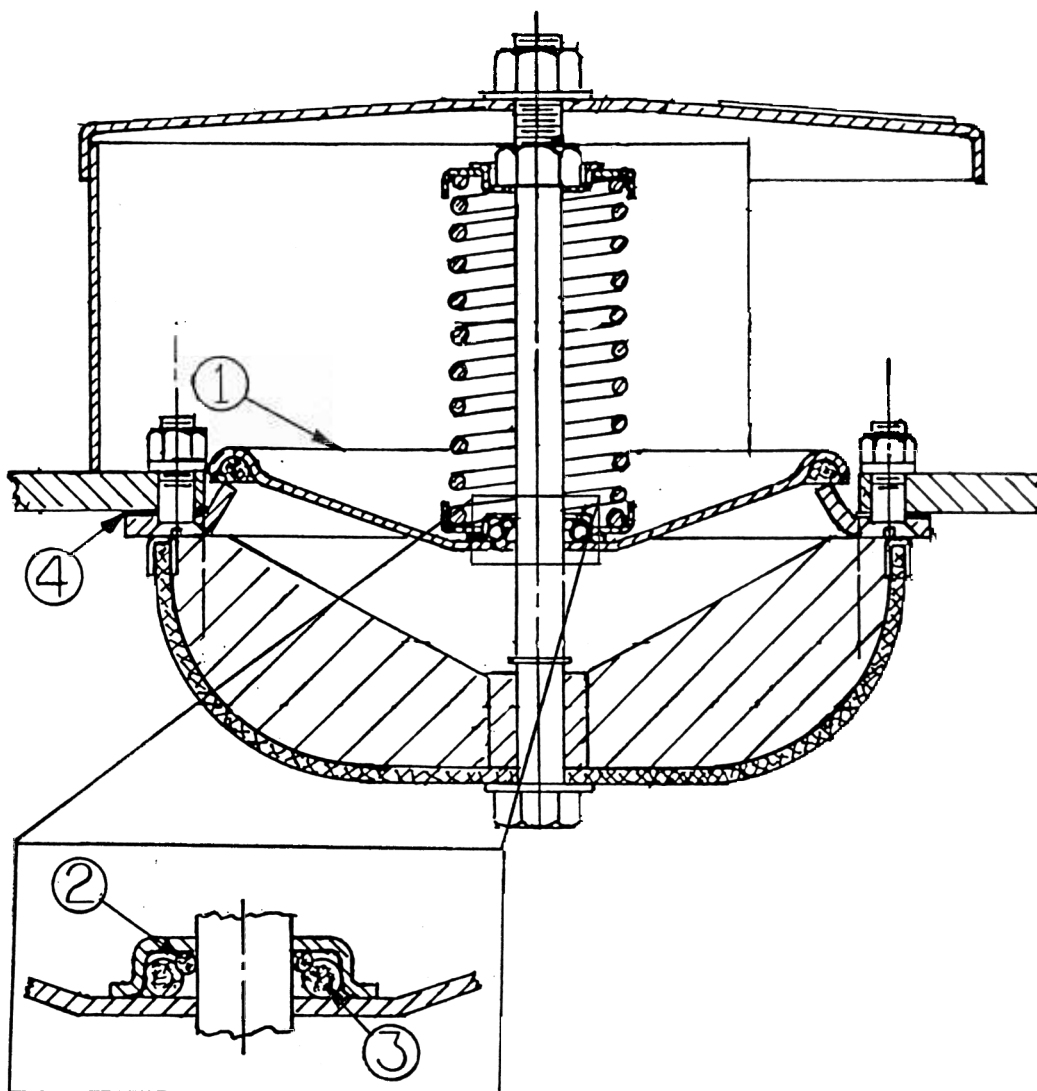
Also, for those users who already have relief valves, **EnDyn** provides a Relief Valve Repair Kit (P-757-462-004) to ensure proper operation and elimination of valve oil leaks (see attached sketch and bill of materials). Please note that valve manufacturer recommends that the valve be serviced on an annual basis. This includes a visual inspection of the wire screen (flame arrestor) and the cover, check all fasteners to make sure they are tight and secure, and replace the items included in the Relief Valve Repair Kit.

For further information, price, and availability, please contact **EnDyn's** Sales Department or your local **PowerParts**[®] Distributor for a quotation.

3-18-96

MARKETING DEPT.
300 West First
Alice, Texas 78332 USA
361.668.8311
800.723.6396
fax 361.668.3906

RELIEF VALVE REPAIR KIT



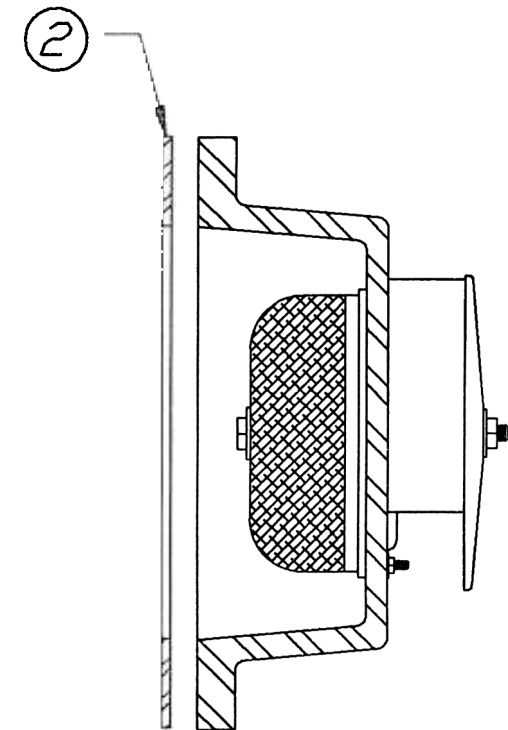
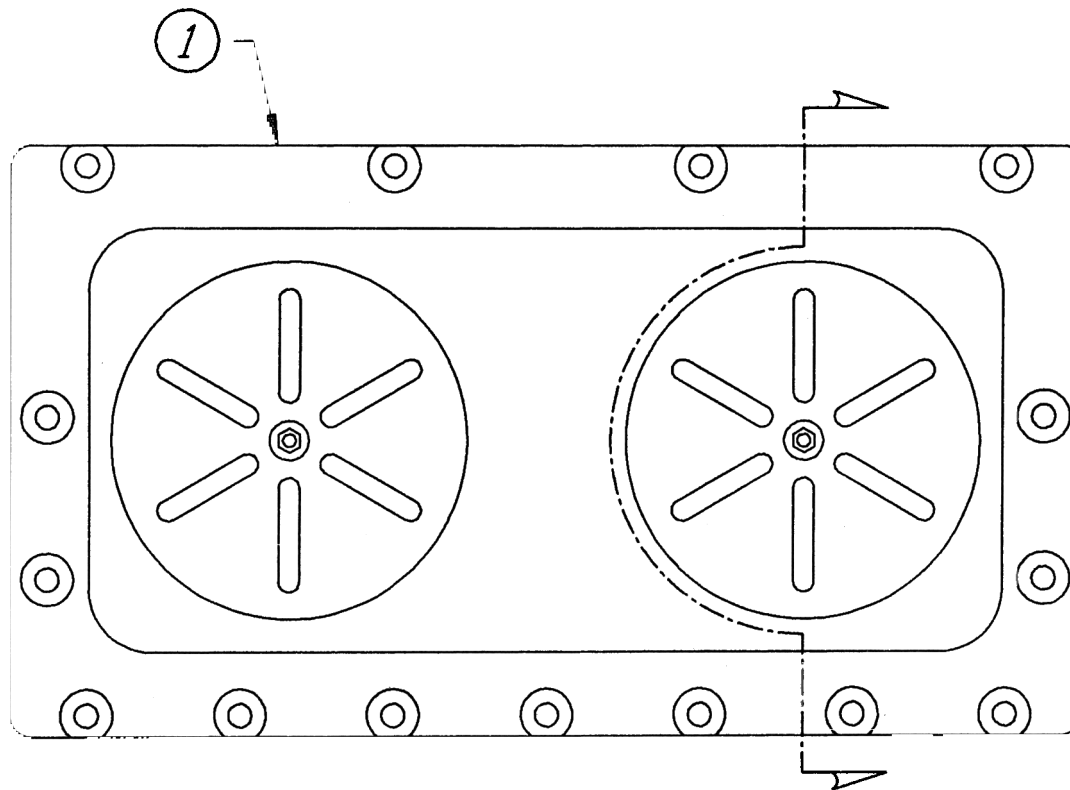
Energy Dynamics

Parts List

P-757-462-004 Relief Valve Repair Kit

Item No.	Part Name	Qty.
1	Valve Plate	1
2	Spindle Seal	1
3	Spindle Seal - 3/16 x 1/2 x 7/8	1
4	Gasket	1

EXPLOSION DOOR KIT



Energy Dynamics

Parts List

P-758-373-103 Explosion Door Kit for Inline 825s and Model 40 Dual Fuel

Item No.	Part Number	Part Name	Qty.
1	P-027-590	Explosion Door Assy. *	2
2	P-033-475	Gasket	2

*NOTE: Assembly contains quantity one (1) P-027-590-D Explosion Door and two (2) P-027-590-X Relief Valves